	Title:	Performance report for SiT3372, 125 MHz, LVPECL		
	Type:	Performance report	Rev:	1.2
	Orig:		Date:	September 07, 2018

Performance report for SiT3372 - 125 MHz, LVPECL

This performance report contains the following data:

- Phase noise
- Random phase jitter
- Output waveforms
- Pull range linearity
- Frequency stability over temperature
- Period jitter
- Duty cycle
- Rise/Fall time
- Amplitude
- Current consumption



Title:	Performance report for SiT3372, 125 MHz, LVPECL		
Type:	Performance report	Rev:	1.2
Orig:		Date:	September 07, 2018

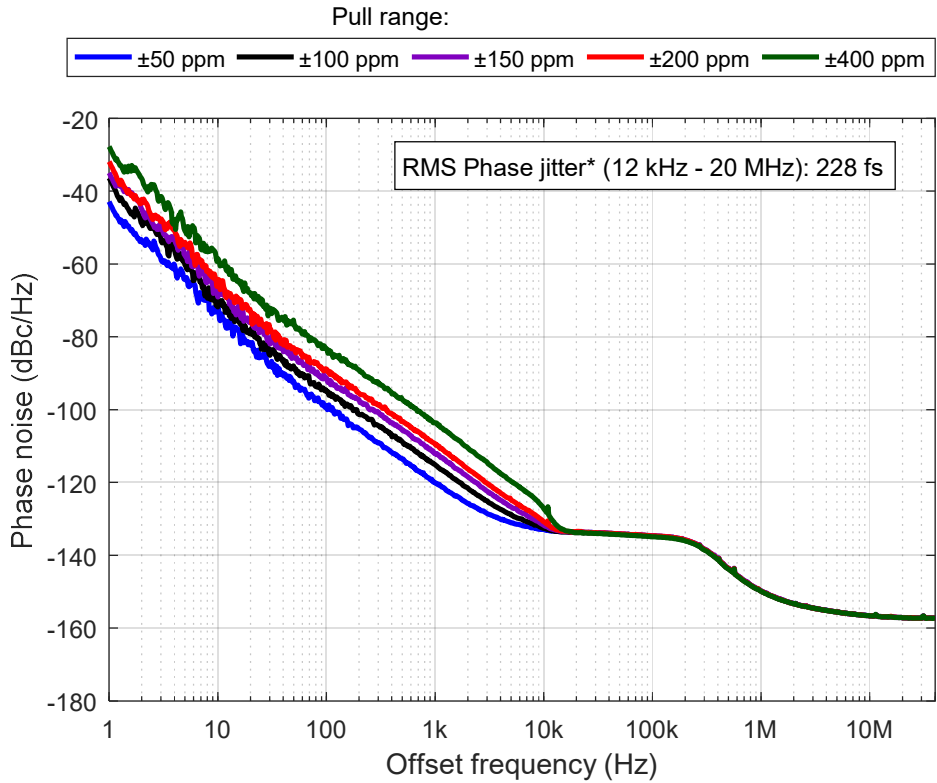


Figure 1: Phase noise, 3.3 V

**Integrated phase jitter value applies for ±50 ppm to ±400 ppm pull ranges*

Table 1: Phase noise

Phase noise dBc/Hz					
Frequency offset (Hz)	Pull range (ppm)				
	±50	±100	±150	±200	±400
1	-42.9	-36.4	-35.0	-31.9	-27.7
10	-72.0	-71.8	-69.1	-64.6	-58.5
100	-98.9	-94.9	-91.2	-88.9	-83.3
1 K	-120.1	-115.1	-112.0	-109.4	-103.7
10 K	-132.8	-132.7	-131.8	-130.8	-127.2
100 K	-134.7	-134.8	-134.7	-134.7	-134.9
1 M	-149.8	-149.9	-149.8	-149.8	-149.9
10 M	-156.6	-156.6	-156.6	-156.6	-156.6
40 M	-157.3	-157.3	-157.3	-157.3	-157.3


	Title:	Performance report for SiT3372, 125 MHz, LVPECL		
	Type:	Performance report	Rev:	1.2
	Orig:		Date:	September 07, 2018

Table 2: Integrated Phase jitter

Parameter	Units	Pull range (ppm)
		±50 to ±400
Integrated Phase jitter (1.875 MHz - 20 MHz)	fs, rms	117
Integrated Phase jitter (12 kHz - 20 MHz)	fs, rms	228

The information contained in this document is confidential and proprietary to SiTime Corporation. Unauthorized reproduction or distribution is prohibited.


	Title:	Performance report for SiT3372, 125 MHz, LVPECL		
	Type:	Performance report	Rev:	1.2
	Orig:		Date:	September 07, 2018



Figure 2: Output waveform, 2.5 V



Figure 3: Output waveform, 3.3 V

The information contained in this document is confidential and proprietary to SiTime Corporation. Unauthorized reproduction or distribution is prohibited.

Title:	Performance report for SiT3372, 125 MHz, LVPECL		
Type:	Performance report	Rev:	1.2
Orig:		Date:	September 07, 2018

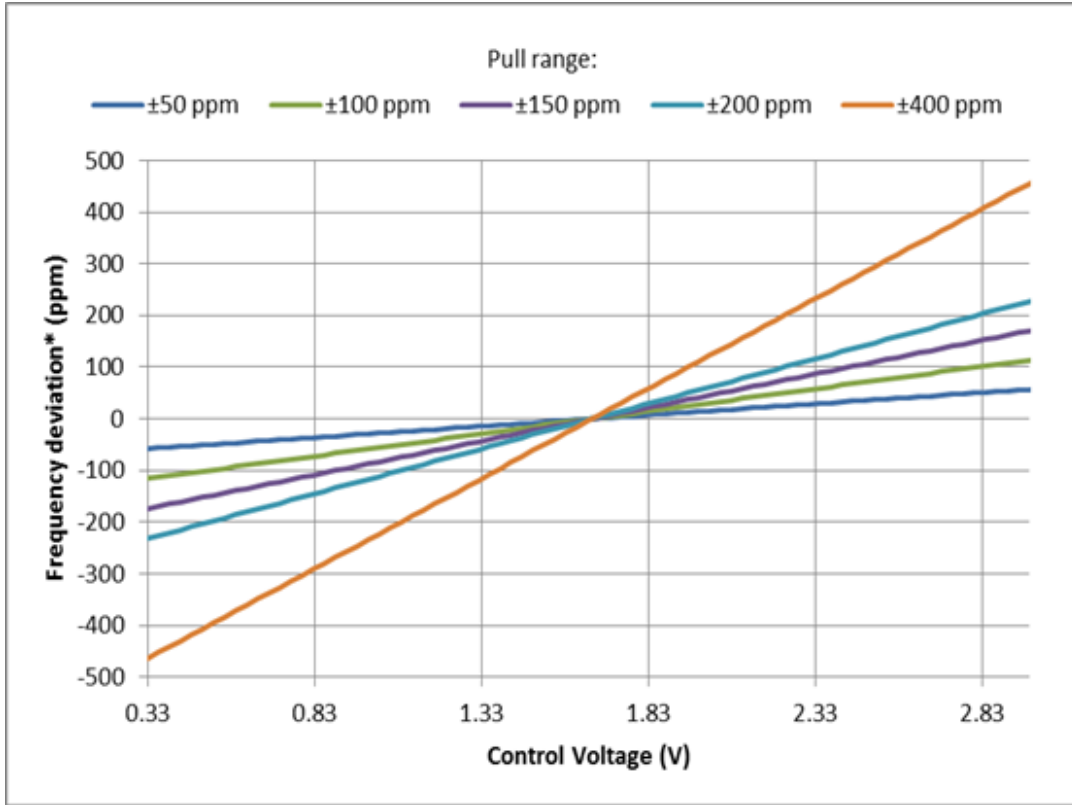


Figure 4: Frequency pull characteristic

SiTime	Title:	Performance report for SiT3372, 125 MHz, LVPECL		
	Type:	Performance report	Rev:	1.2
	Orig:		Date:	September 07, 2018

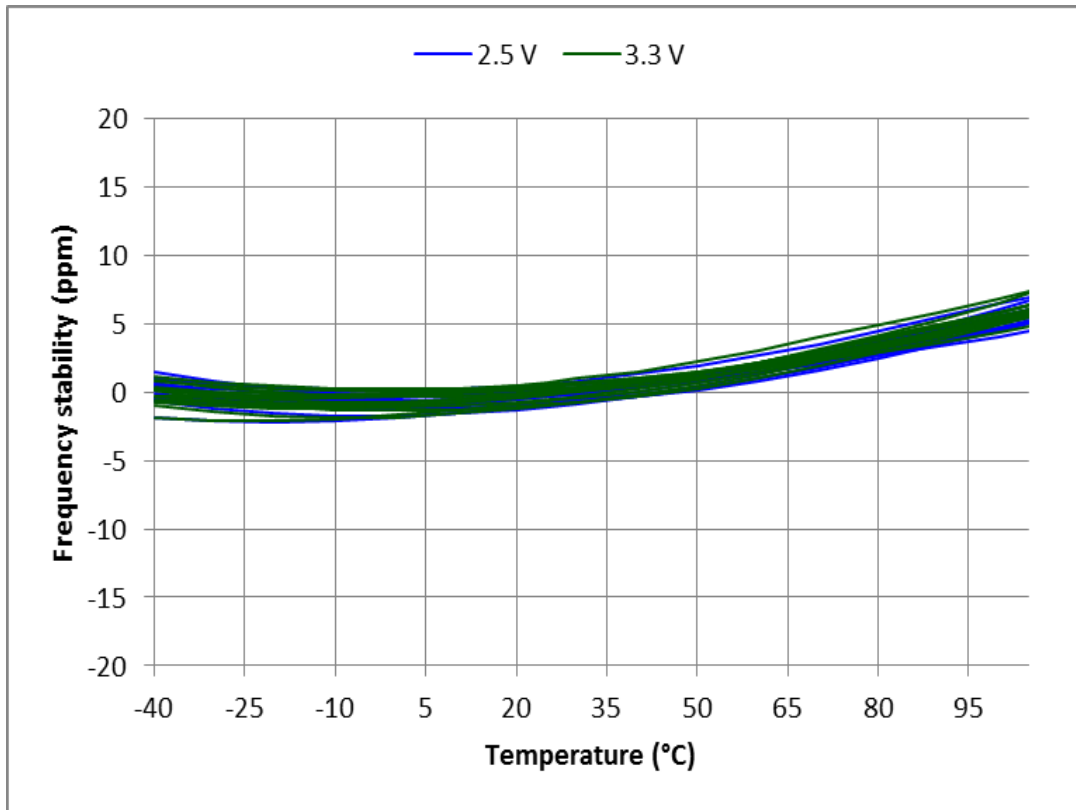


Figure 5: Frequency stability* over temperature, 2.5 V – 3.3 V, 30 devices

*SiT3372 frequency stability is independent of output frequency.

The information contained in this document is confidential and proprietary to SiTime Corporation. Unauthorized reproduction or distribution is prohibited.



	Title:	Performance report for SiT3372, 125 MHz, LVPECL		
	Type:	Performance report	Rev:	1.2
	Orig:		Date:	September 07, 2018

Table 3: Summary performance data

Parameter	Units	Voltage	
		2.5 V	3.3 V
Period jitter	ps, rms	0.94	0.90
Period jitter (sample size 10,000 cycles)	ps, pk-pk	7.45	7.26
Duty cycle	%	50.1	50.1
Rise time (20% - 80%)	ps	214	202
Fall time (80% - 20%)	ps	209	200
Differential voltage swing	V	1.63	1.61
Current consumption (no load, output enabled)	mA	82.5	82.9
Current consumption (no load, output disabled)	mA	56.5	56.5

	Title:	Performance report for SiT3372, 125 MHz, LVPECL		
	Type:	Performance report	Rev:	1.2
	Orig:		Date:	September 07, 2018


Test description

Conditions:

- Frequency: 125 MHz
- VDD: 2.5 V, 3.3 V
- Pull range: ± 50 ppm, ± 100 ppm, ± 150 ppm, ± 200 ppm, ± 400 ppm
- Temperature: 25 °C

Equipment:

Model	Measurement / Purpose
Keysight DSA90604A (6 GHz, 20 Gsps)	Period jitter, output amplitude, rise/fall time, duty cycle
Keysight 5052B Signal Source Analyzer	Phase noise, integrated phase jitter
Keysight 34980A	Power supply current
Keysight E3631A	Power supply
Keysight 53230A	Frequency

	Title:	Performance report for SiT3372, 125 MHz, LVPECL		
	Type:	Performance report	Rev:	1.2
	Orig:		Date:	September 07, 2018

Setup

Waveform

For waveform parameters measurement (rise/fall time, differential swing, duty cycle), both DUT outputs are terminated with 50 Ω to VDD - 2 V. Output signals are measured using Keysight 1134B active probe with Keysight N5425B probe head. All measurements are applied to the differential waveform. Figure 6 shows test setup diagram for waveform parameters measurement.

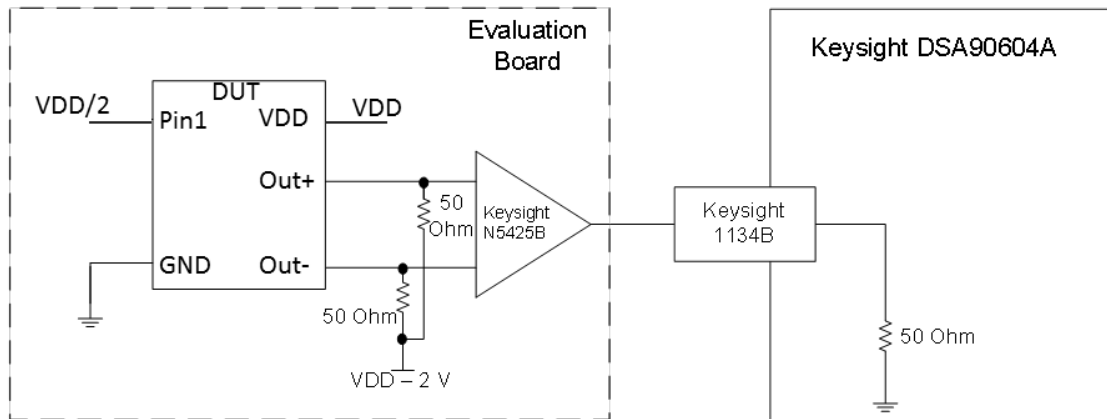


Figure 6. Test setup for measuring waveform parameters (rise/fall time, differential swing, duty cycle)

Period Jitter

For period jitter measurement output is terminated with 50 Ω to VDD - 2 V at the input of hi-speed comparator (ADCMP581). AC coupled comparator's output is connected to oscilloscope channel. Figure 7 shows test setup diagram for period jitter measurement.

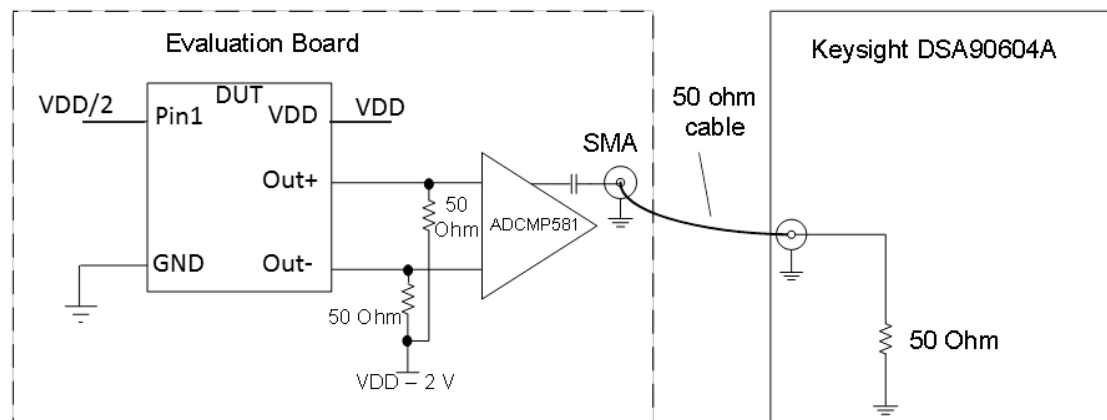



Figure 7. Test setup for measuring period jitter

	Title:	Performance report for SiT3372, 125 MHz, LVPECL		
	Type:	Performance report	Rev:	1.2
	Orig:		Date:	September 07, 2018

Phase noise

For phase noise measurements, differential signal is converted to single-ended using impedance matching transformer. Transformer's output is connected to measurement instrument. Figure 8 shows test setup diagram for phase noise measurement.

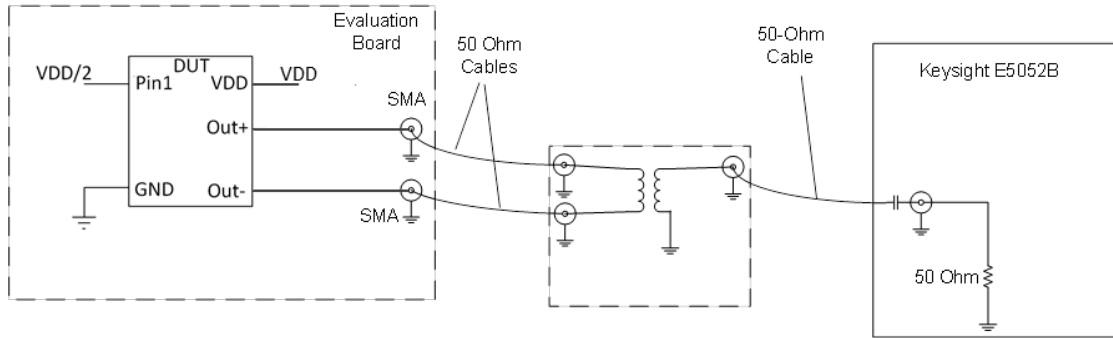


Figure 8. Test setup for measuring phase noise.

Current consumption

For Current consumption measurement device output is floating. For frequency measurement differential-to-single-ended converter is used.