


| | | | | |
|---|---------------|---|--------------|----------------|
|  | Title: | Performance report for SiT9365, 212.5 MHz, LVDS | | |
| | Type: | Performance report | Rev: | 1.0 |
| | Orig: | | Date: | April 16, 2018 |

Performance report for SiT9365 - 212.5 MHz, LVDS

Conditions:

- Frequency 212.5 MHz
- VDD: 2.5 V, 3.3 V
- Room temperature
- Termination:
 - o 100 Ω between both outputs.

Equipment:

| Model | Measurement / Purpose |
|---------------------------------------|---|
| Keysight DSA90604A (6 GHz, 20 Gbps) | Period jitter, differential voltage swing, rise/fall time, duty cycle |
| Keysight 5052B Signal Source Analyzer | Phase noise, integrated phase jitter |
| Keysight 34980A | Power supply current |
| Keysight E3631A | Power supply |
| Keysight 53230A | Frequency |

Test setup:

For waveform parameters measurement (rise/fall time, differential swing, duty cycle), both DUT outputs are terminated with 100 Ω differential. Output signals are measured using Keysight 1134B active probe with Keysight N5425B probe head. All measurements are applied to the differential waveform. Figure 1 shows test setup diagram for waveform parameters measurement.

| | | | | |
|---------------|---------------|--|--------------|-----------------------|
| SiTime | Title: | Performance report for SiT9365, 212.5 MHz, LVDS | | |
| | Type: | Performance report | Rev: | 1.0 |
| | Orig: | | Date: | April 16, 2018 |

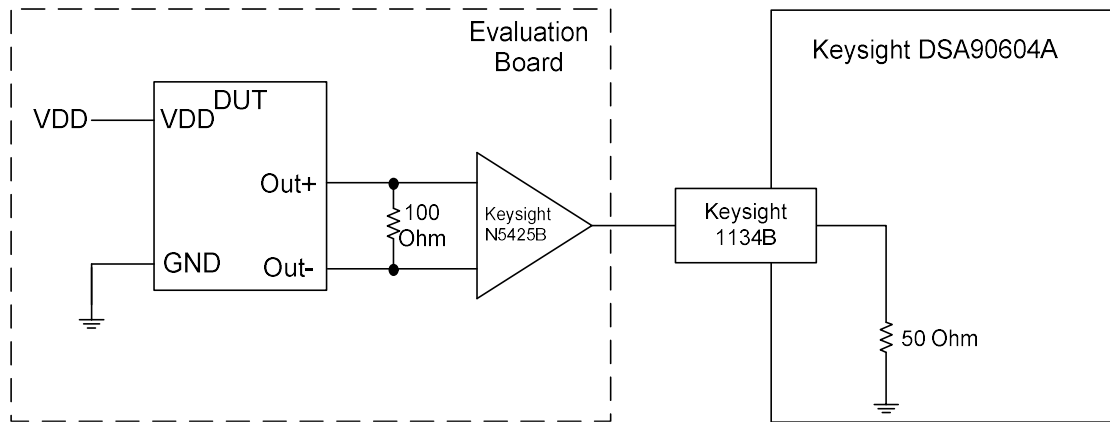


Figure 1: Test setup for measuring waveform parameters (rise/fall time, differential swing, duty cycle)

For period jitter measurement outputs are connected through AC-coupling capacitors to the oscilloscope channels. Signals are subtracted inside the oscilloscope. All measurements applied to differential waveform. Figure 2 shows test setup diagram for period jitter measurement.

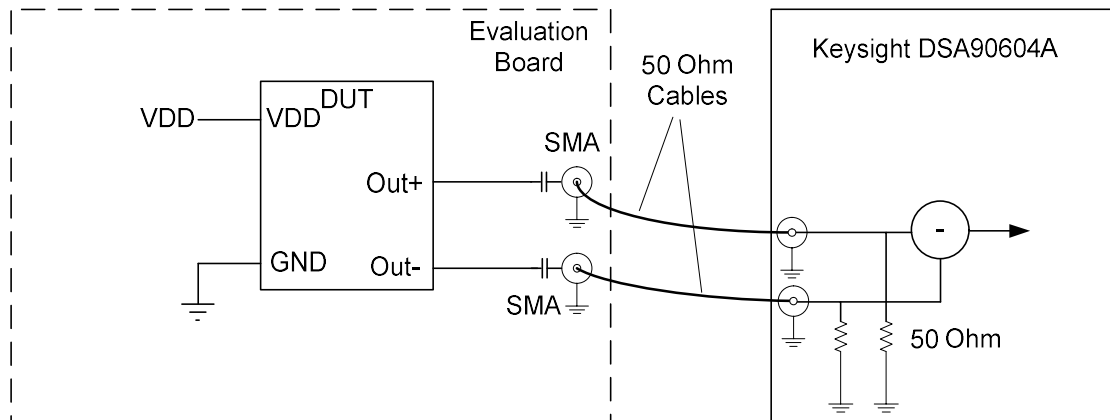


Figure 2: Test setup for measuring period jitter

For phase noise measurements, differential signal is converted to single-ended using impedance matching transformer. Transformer's output is connected to measurement instrument. Figure 3 shows test setup diagram for phase noise measurement.

| | | | | |
|---------------|---------------|--|--------------|-----------------------|
| SiTime | Title: | Performance report for SiT9365, 212.5 MHz, LVDS | | |
| | Type: | Performance report | Rev: | 1.0 |
| | Orig: | | Date: | April 16, 2018 |



Figure 3: Test setup for measuring phase noise.

For IDD measurement device output is floating. For frequency measurement differential-to-single-ended converter is used.

Data:

- Phase noise
- Integrated phase jitter
- RMS period jitter
- Peak-to-peak period jitter
- Rise/fall time
- Duty cycle
- Differential output swing
- IDD
- Frequency stability over temperature

Table 1: Summary performance data

| Parameter | Units | Voltage | |
|--|-----------|---------|-------|
| | | 2.5 V | 3.3 V |
| Integrated Phase jitter (1.875 MHz - 20 MHz) | fs, rms | 89 | 87 |
| Integrated Phase jitter (12 kHz - 20 MHz) | fs, rms | 222 | 221 |
| Period jitter | ps, rms | 0.76 | 0.77 |
| Period jitter (10,000 cycles) | ps, pk-pk | 5.73 | 5.81 |
| Duty cycle | % | 50.0 | 50.1 |
| Rise time (20% - 80%) | ps | 401 | 407 |
| Fall time (80% - 20%) | ps | 394 | 395 |
| Differential voltage swing | V | 0.80 | 0.81 |
| Current consumption (no load, output enabled) | mA | 69.8 | 69.9 |
| Current consumption (no load, output disabled) | mA | 52.2 | 52.3 |

The information contained in this document is confidential and proprietary to SiTime Corporation. Unauthorized reproduction or distribution is prohibited.

| | | | | |
|---------------|---------------|---|--------------|----------------|
| SiTime | Title: | Performance report for SiT9365, 212.5 MHz, LVDS | | |
| | Type: | Performance report | Rev: | 1.0 |
| | Orig: | | Date: | April 16, 2018 |

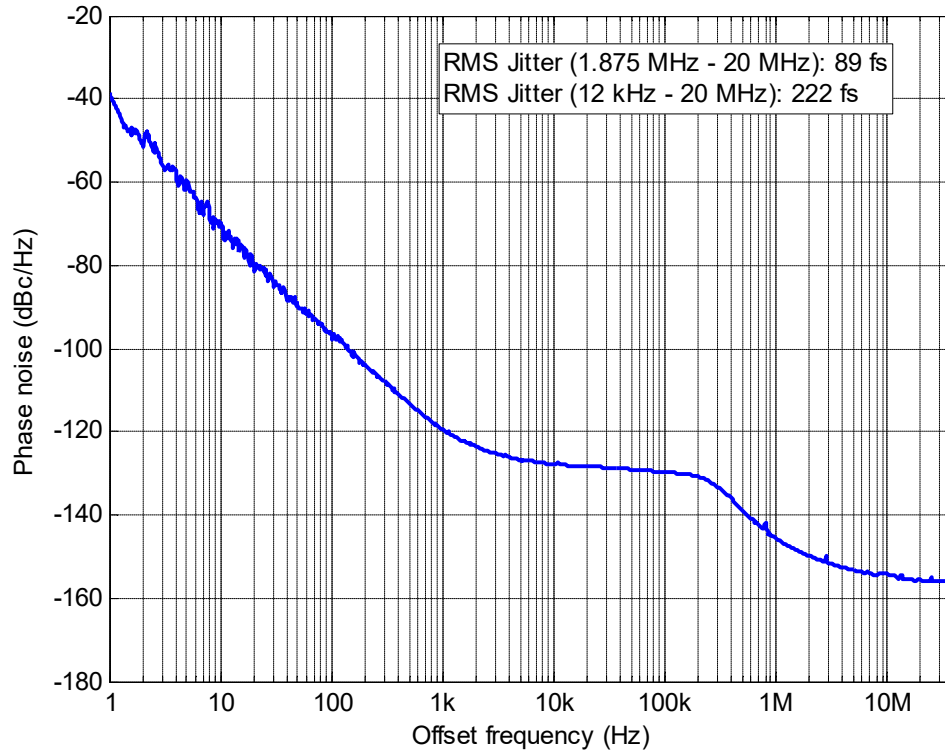


Figure 4: Phase noise, 2.5 V

The information contained in this document is confidential and proprietary to SiTime Corporation. Unauthorized reproduction or distribution is prohibited.

| | | | | |
|---------------|---------------|---|--------------|----------------|
| SiTime | Title: | Performance report for SiT9365, 212.5 MHz, LVDS | | |
| | Type: | Performance report | Rev: | 1.0 |
| | Orig: | | Date: | April 16, 2018 |

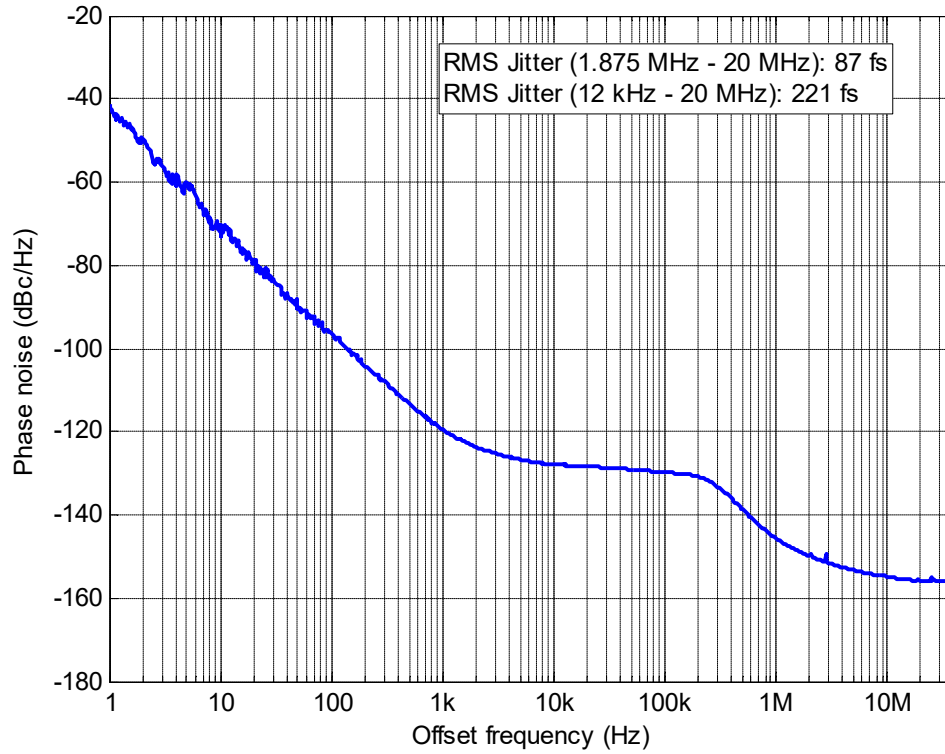


Figure 5: Phase noise, 3.3 V

The information contained in this document is confidential and proprietary to SiTime Corporation. Unauthorized reproduction or distribution is prohibited.


| | | | | |
|---|---------------|---|--------------|----------------|
|  | Title: | Performance report for SiT9365, 212.5 MHz, LVDS | | |
| | Type: | Performance report | Rev: | 1.0 |
| | Orig: | | Date: | April 16, 2018 |



Figure 6: Output waveform, 2.5 V

The information contained in this document is confidential and proprietary to SiTime Corporation. Unauthorized reproduction or distribution is prohibited.


| | | | | |
|---|---------------|---|--------------|----------------|
|  | Title: | Performance report for SiT9365, 212.5 MHz, LVDS | | |
| | Type: | Performance report | Rev: | 1.0 |
| | Orig: | | Date: | April 16, 2018 |



Figure 7: Output waveform, 3.3 V

The information contained in this document is confidential and proprietary to SiTime Corporation. Unauthorized reproduction or distribution is prohibited.

| | | | | |
|---------------|---------------|---|--------------|----------------|
| SiTime | Title: | Performance report for SiT9365, 212.5 MHz, LVDS | | |
| | Type: | Performance report | Rev: | 1.0 |
| | Orig: | | Date: | April 16, 2018 |



Figure 8: Frequency stability* over temperature, 2.5 V

*SiT9365 frequency stability is independent of output frequency.

The information contained in this document is confidential and proprietary to SiTime Corporation. Unauthorized reproduction or distribution is prohibited.

| | | | | |
|---------------|---------------|---|--------------|----------------|
| SiTime | Title: | Performance report for SiT9365, 212.5 MHz, LVDS | | |
| | Type: | Performance report | Rev: | 1.0 |
| | Orig: | | Date: | April 16, 2018 |



Figure 9: Frequency stability over temperature, 3.3 V

The information contained in this document is confidential and proprietary to SiTime Corporation. Unauthorized reproduction or distribution is prohibited.